
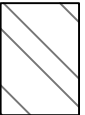
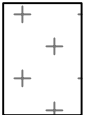

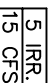



1" = 600'

LEGEND

- 
 WYRICK TURNOUTS
 SERVICE TO-W1 TO AREA 2066AC
 BOUNDIN LAT. A
 LAT. B
- 
 BOUNDIN TURNOUTS
 SERVICE TO-B1 TO AREA B 243AC
 TO-B3
- 
 LAT. A TURNOUTS
 SERVICE TO-WA1 THROUGH AREA 432AC
 TO-WA10
- 
 LAT. B TURNOUTS
 SERVICE TO-WB1 THROUGH AREA A 189AC
 TO-WB10
- 
 DESIGN CAPACITY
 S IRR. 15 CFS
- 
 FLOW DIRECTION
 FL 30.2' GPS ELEV.

AXIOM-BLAIR
ENGINEERING

H.I.D. NO.1
WYRICK CANAL
IMPROVEMENTS

JOB NO.: 169
JAN 2002

EXHIBIT D-2